

90cm Curved Glass Canopy Rangehood



FEATURES

Stainless steel baffle filters, 2 × LED lights, 4 speeds,
1000m³/hr extraction, Black glass fascia with touch controls,
Pressure die cast aluminium motor

Congratulations on your new InAlto 90cm Curved Glass Canopy Rangehood!

INSTALLATION

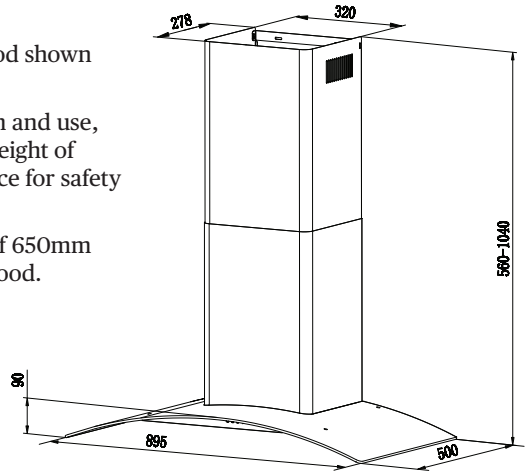
Please refer to the dimensions of your rangehood shown in the diagram on the right.

When positioning the rangehood for installation and use, we advise that the rangehood is mounted at a height of between 600–800mm above the cooking surface for safety and performance of your rangehood.

Gas cooktops must have a minimum of height of 650mm from the burner to the underside of the rangehood.

Electric cooktops must have a minimum of height of 600mm from the cooktop surface to the underside of the rangehood.

For a complete guide, refer to the user manual pages 5, 8–9.



THE CONTROLS

Your Curved Glass Canopy Rangehood Controls

1 Timer button

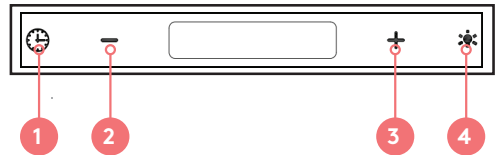
Holding this button until you see the display setting to set the time adjusting using the + and - buttons.

Short press this button to cycle through preset timer settings.

2 Decrease fan speed button

3 Increase fan speed button

4 Light on / off control



For a complete guide on operating your rangehood refer to user manual on page 8.

DETAILS

Product Size (W, D, H):
895mm x 500mm x 560–1040mm

SUPPORT

Telephone: 1300 11 4357
Email: support@residentiagroup.com.au