

45cm Compact Dishwasher

MODEL / DW42CS



FEATURES

- 10 place settings
- Mark resistant s.steel finish
- LED display
- Collapsible plate racks
- Anti flood device and child lock
- 1-24hr delay start
- Quiet 49dB operation
- Extra-drying program
- 7 wash programs

NOTE

For best drying results, please open the door after cycle ends. This releases the steam and ensures best drying results.

7 x WASH PROGRAMS

- Intensive
- Heavy
- Eco
- Glass
- 90 minute
- Rapid
- Pre-wash

EXTRA FUNCTIONS

- Extra Dry

SAFETY

- Child lock device
- Anti-leak device
- Anti-flood device

ENERGY EFFICIENCY

Energy Rating (MEPS):

3.5 stars

Water Rating (WELS):

3.5 stars

NOISE LEVEL

Quiet 49dB

PRODUCT DIMENSIONS

Physical (w, d, h mm):

448 x 600 x 845mm

CLEANING

- Mark-free stainless steel
- Flush, slimline control panel
- Easy to remove filter system

REQUIREMENTS

Supplied with 10 amp plug

Rated Voltage:

200-240V, 50Hz

Power Rating:

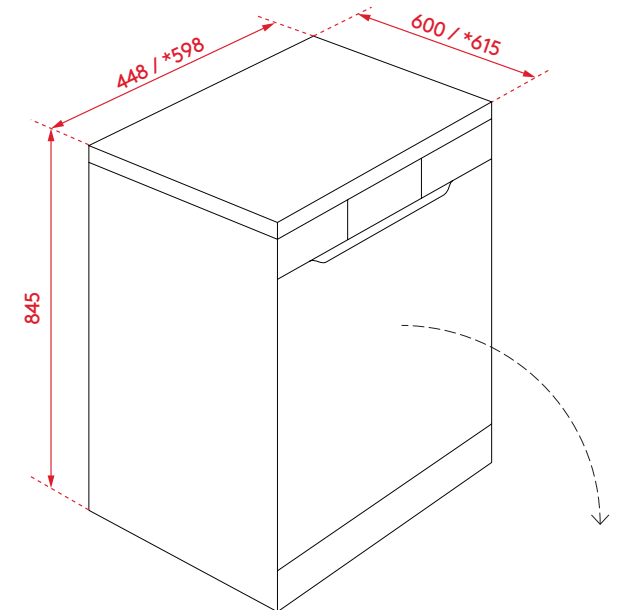
2100 (240V) -1760W (220V)

EAN

9349260001817

INSTALLATION

See below diagram



ALL INALTO PRODUCTS COME WITH A 2 YEAR WARRANTY. AUSTRALIAN CUSTOMERS ARE ELIGIBLE TO RECEIVE 1 EXTRA YEAR FOR FREE, SIMPLY REGISTER ONLINE WITHIN 90 DAYS OF PURCHASE

—
WWW.INALTO.HOUSE/REGISTRATION